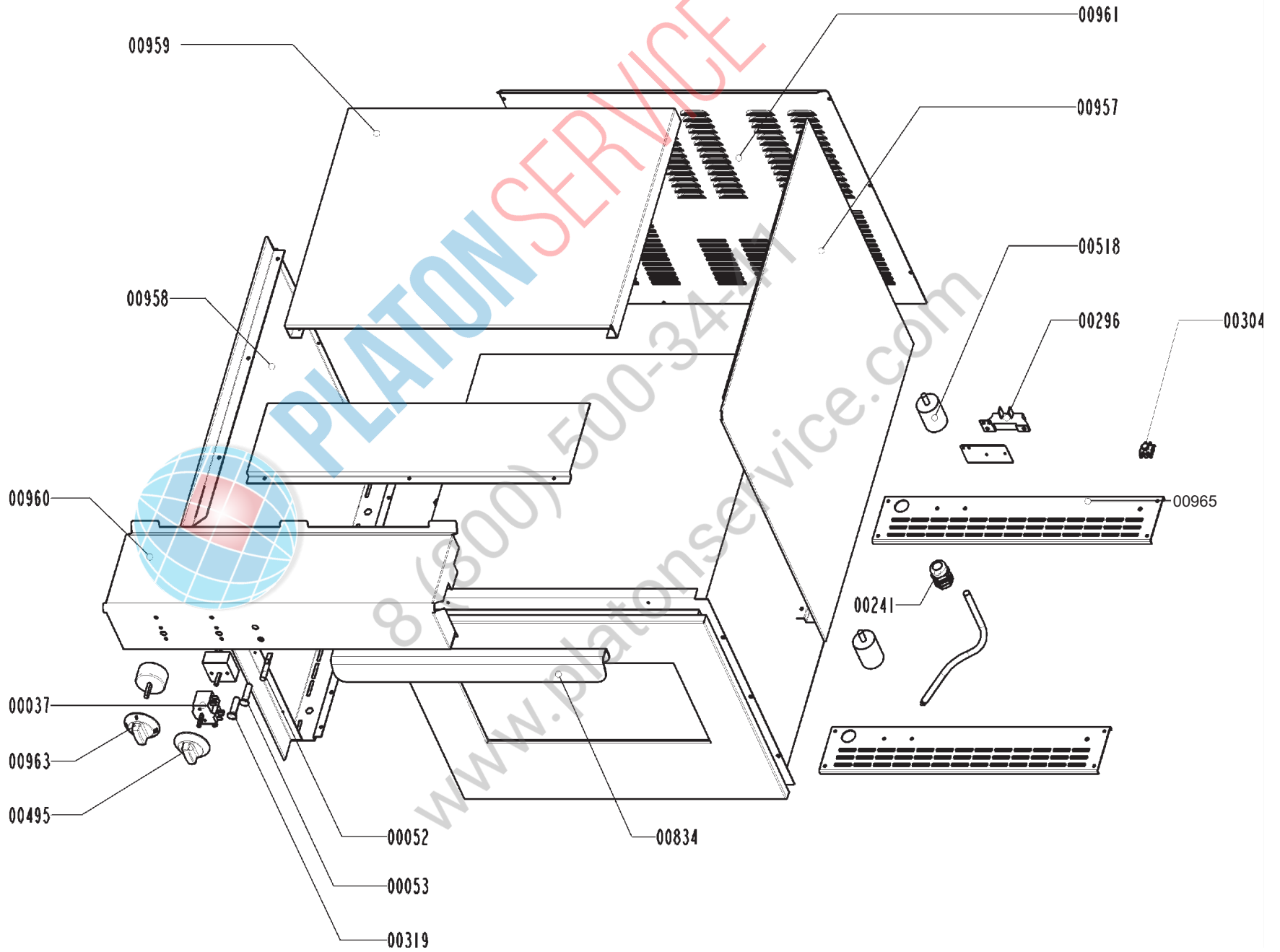


PLAATON SERVICE

www.plaaton.com

Artic./Item	Descrizione/Description		Modello/Model
<b>216026</b>	<b>FORNO ELETTRICO SMALLY A CONVEZIONE COME GRIGLIE E 2 TEGLIE</b> <b>"SMALLY" FAN ASSISTED ELECTRIC OVEN WITH 2 GRIDS AND 2 TRAYS</b>		<b>FG60E</b>
Cons./Recom.	Pos./Posit.	Ricambio/Replacement	Prezzo/Price List
*	00037000	RC00037000    COMMUTATORE MONOFASE	SWITCH    18,33
*	00052000	RC00052000    LAMPADA SEGN.NEON FASTON ARANCIO 230V	SIGNAL NEON LAMP    4,84
	00241000	RC00241000    PRESSACAVO PG16 CON DADO	CABLE GLAND AND NUT    6,70
	00296000	RC00296000    MORSETTIERA MONOFASE	CONNECTING BLOCK    6,18
	00304000	RC00304000    MORSETTO EQUIPOTENZIALE COMP.	EQUIPOTENTIAL CONNECTING BLOCK    6,18
	00518000	RC00518000    PIEDINO H=50 MM	FOOT    5,36
	00567000	RC00567000    GRIGLIA	GRID    25,24
	00834000	RC00834000    MANIGLIA FORNO	OVEN HANDLE    29,36
	00957000	RC00957000    FIANCO DX FORNO FG60E	OVEN RIGHT SIDE FG60E    68,70
	00958000	RC00958000    FIANCO SX FORNO FG60E	OVEN LEFT SIDE FG60E    68,70
	00959000	RC00959000    CIELO FORNO	OVEN EXTERNAL UPPER PANEL    44,11
	00960000	RC00960000    CRUSCOTTO FORNO	OVEN CONTROL PANEL    57,99
	00961000	RC00961000    SCHIENALE FORNO F60E	BACK PANEL FOR OVEN F60E    29,83
*	00962000	RC00962000    TIMER PER FORNO	OVEN TIMER    37,80
	00964000	RC00964000    TEGLIA PER FORNO	ALUMINIUM BAKING TRAY    27,60
	01298000	RC01298000    SUPPORTO GRIGLIA FORNO F60	OVEN F60 GRILL SUPPORT    22,66



Artic./Item	Descrizione/Description		Modello/Model
<b>216026</b>	<b>FORNO ELETTRICO SMALLY A CONVEZIONE COME GRIGLIE E 2 TEGLIE</b> <b>"SMALLY" FAN ASSISTED ELECTRIC OVEN WITH 2 GRIDS AND 2 TRAYS</b>		<b>FG60E</b>
Cons./Recom.	Pos./Posit.	Ricambio/Replacement	Prezzo/Price List
*	00037000	RC00037000    COMMUTATORE MONOFASE	SWITCH    18,33
*	00052000	RC00052000    LAMPADA SEGN.NEON FASTON ARANCIO 230V	SIGNAL NEON LAMP    4,84
	00241000	RC00241000    PRESSACAVO PG16 CON DADO	CABLE GLAND AND NUT    6,70
	00296000	RC00296000    MORSETTIERA MONOFASE	CONNECTING BLOCK    6,18
	00304000	RC00304000    MORSETTO EQUIPOTENZIALE COMP.	EQUIPOTENTIAL CONNECTING BLOCK    6,18
	00518000	RC00518000    PIEDINO H=50 MM	FOOT    5,36
	00567000	RC00567000    GRIGLIA	GRID    25,24
	00834000	RC00834000    MANIGLIA FORNO	OVEN HANDLE    29,36
	00957000	RC00957000    FIANCO DX FORNO FG60E	OVEN RIGHT SIDE FG60E    68,70
	00958000	RC00958000    FIANCO SX FORNO FG60E	OVEN LEFT SIDE FG60E    68,70
	00959000	RC00959000    CIELO FORNO	OVEN EXTERNAL UPPER PANEL    44,11
	00960000	RC00960000    CRUSCOTTO FORNO	OVEN CONTROL PANEL    57,99
	00961000	RC00961000    SCHIENALE FORNO F60E	BACK PANEL FOR OVEN F60E    29,83
*	00962000	RC00962000    TIMER PER FORNO	OVEN TIMER    37,80
	00964000	RC00964000    TEGLIA PER FORNO	ALUMINIUM BAKING TRAY    27,60
	01298000	RC01298000    SUPPORTO GRIGLIA FORNO F60	OVEN F60 GRILL SUPPORT    22,66